

24VDC High Capacity Remote Compressor/Condenser

Mine Air Systems Technical Data

Product application

- Mobile diesel-powered haul trucks, dozers, graders, loaders and similar equipment

Benefits

- Improves air conditioning system performance and equipment uptime by replacing the typical engine-mounted, belt-driven compressor/condenser system with a modular 24 VDC high capacity remote compressor/condenser unit
- Reduces maintenance costs associated with engine-mounted, belt-driven compressor/condenser systems that can interfere with engine maintenance access
- A low profile version (LPRC) is also available – capacities are the same, footprint varies

Summary

The P&H brand Mine Air systems high capacity remote compressor/condenser (HCRC) is a mounted 24VDC compressor and condenser unit. The HCRC is designed as a replacement for conventional engine-mounted, belt-driven compressor and condenser arrangements on a wide variety of mobile diesel-powered mining equipment including haul trucks, graders, dozers and front-end loaders. The HCRC is designed to tie into the existing OEM air conditioning system and utilizes the existing dash-mounted OEM evaporator coil, blower, ducting and vents.



Description

The HCRC is a modular unit, driven by a 24 volt DC scroll compressor/condenser that can be mounted close to the operator cab and integrated with the OEM AC system after the engine-mounted, belt-drive compressor unit and longer refrigerant lines are removed.

The HCRC features two quick-disconnect ports for the shorter, relocated refrigerant lines, and two plugs for the control and the power. If the HCRC needs to be replaced, the change-out process can be completed within approximately 30 minutes with the proper tools and equipment.

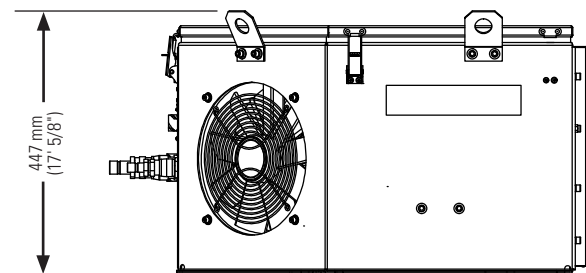
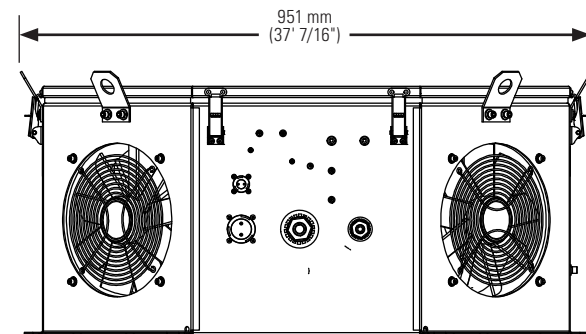
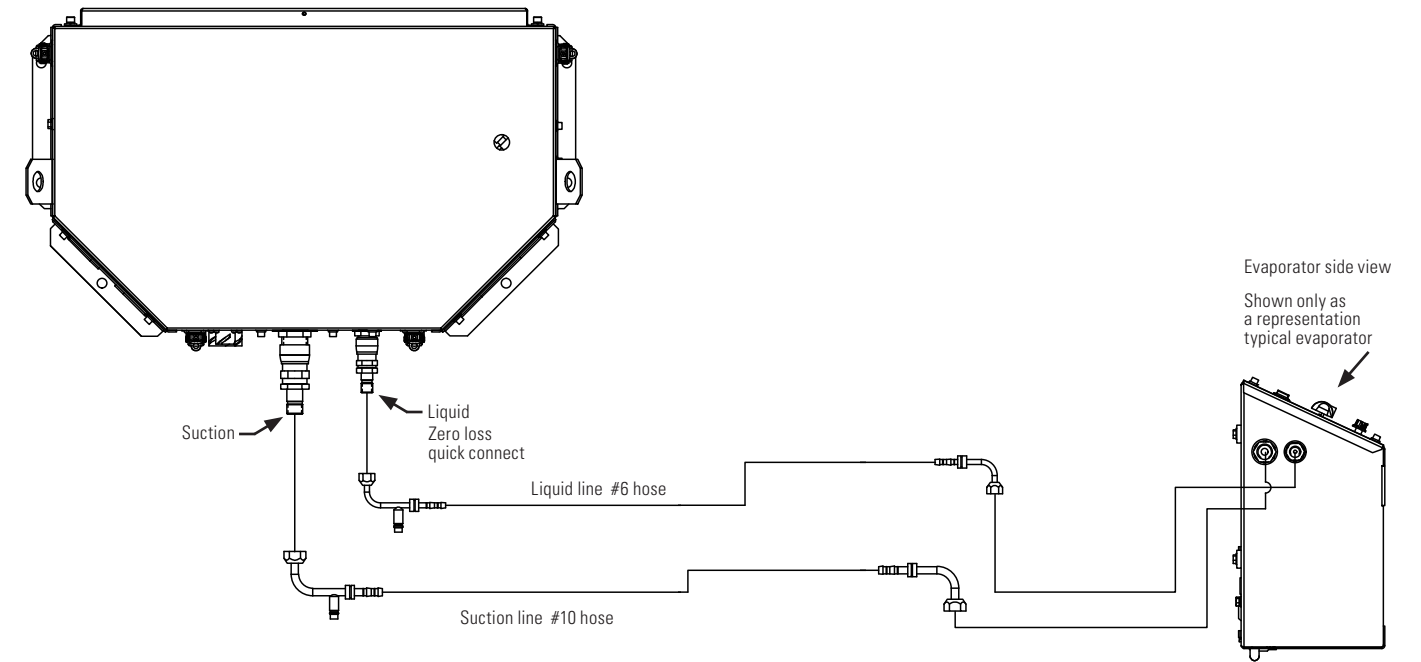
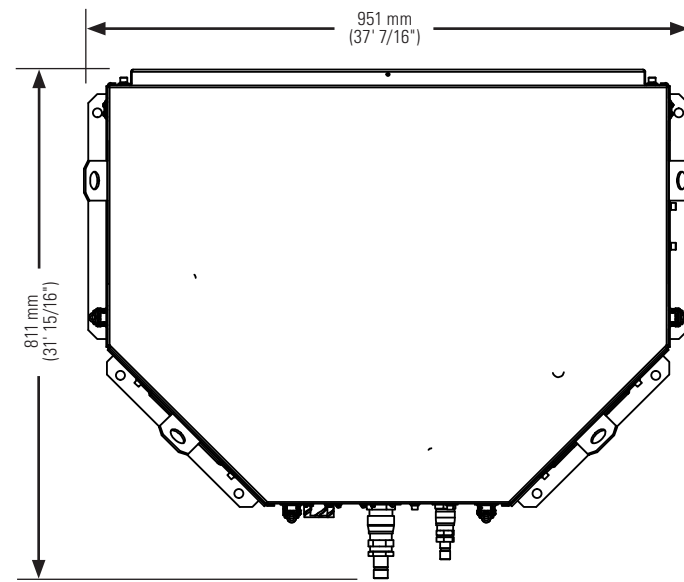
A variety of kits are available to make installation quick and easy for many popular mining machines, including pre-engineered roof racks that are ROPS/FOPS friendly.

For more information, contact
a local Komatsu Mining
representative or visit
mining.komatsu

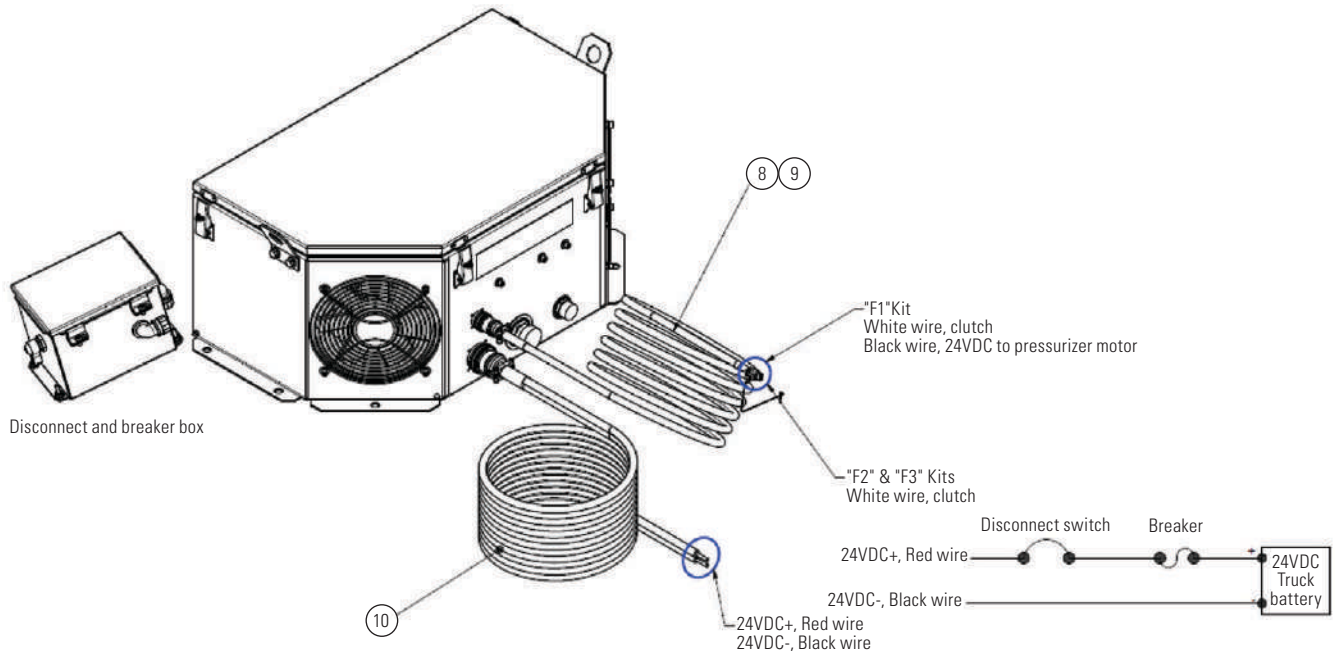
Technical characteristics

Feature	Specification
Description	Remote mounted air conditioning condenser c/w compressor
Electrical	24 Volt DC, max current draw of 65A, typical operation current of 45A
Compressor	24 Volt DC hermetically sealed scroll compressor
Physical size	951 mm wide x 811 mm long by 447 mm high 37' 7/16" wide x 31' 15/16" long by 17' 5/8" high
Modularity	Unit swap 30 min
Capacity	17,000 BTU/Hr @ 110° F 15,520 BTU/Hr @ 95° F
Refrigerant	R134A
Oil	POE <u>only</u>
Construction	Case; 16 gauge 304 Brushed stainless steel Coils; copper tube, 8 fins per inch
Weight	75 kg (175 lbs) installed

Model MAS HCRC dimensions



HCRC illustrated with typical installation kit



Komatsu Mining Corp. Group

mining.komatsu



Product designs, specifications and/or data in this document are provided for informational purposes only and are not warranties of any kind. Product designs and/or specifications may be changed at any time without notice. The only warranties that apply to sales of products and services are standard written warranties, which will be furnished upon request.

Komatsu, Joy, Montabert, P&H and other trademarks and service marks used herein are the property of Komatsu Ltd., Komatsu Mining Corp., or their respective owners or licensees.

© 2018 Komatsu Mining Corp. All rights reserved.