

KOMATSU®

D155PX-8

Tier 4 Final Engine

CRAWLER DOZER

D155



Photos may include optional equipment.

NET HORSEPOWER

354 HP @ 1900 rpm
264 kW @ 1900 rpm

OPERATING WEIGHT

100,000 lb 45360 kg
92,800 lb 42100 kg

BLADE CAPACITY

9.6 yd³ 7.3 m³ Angle blade
12.9 yd³ 9.9 m³ Semi-U blade
15.7 yd³ 12.0 m³ Semi-U blade w/extended spill guard

SPECIFICATIONS



ENGINE

Model.....Komatsu SAA6D140E-7**
 Type.....4-cycle, water-cooled, direct injection
 Aspiration.....Komatsu Variable Geometry
 Turbocharged, air-to-air aftercooled, cooled EGR
 Number of cylinders.....6
 Bore x stroke.....140 mm x 165 mm **5.51" x 6.50"**
 Piston displacement.....15.24 ltr **930 in³**
 Governor.....Mid-range, electronic
 Horsepower
 SAE J1995.....Gross 268 kW **360 HP**
 ISO 9249 / SAE J1349*.....Net 264 kW **354 HP**
 Rated rpm.....1900 rpm
 Fan drive type.....Hydraulic
 Lubrication system
 Method.....Gear pump, force lubrication
 Filter.....Full-flow

*Net horsepower at the maximum speed of radiator cooling fan.....239 kW **320 HP**

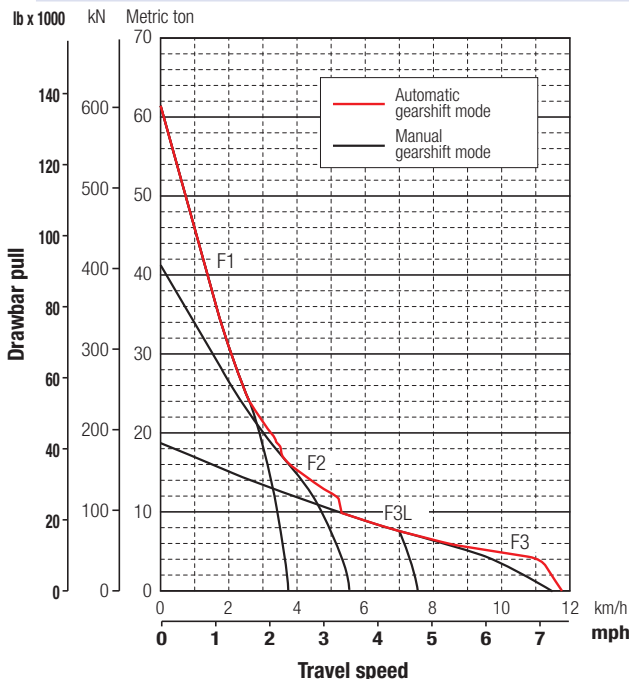
**EPA Tier 4 Final emissions certified



TORQFLOW TRANSMISSION

Komatsu's automatic TORQFLOW transmission consists of a water-cooled, 3-element, 1-stage, 1-phase, torque converter with lockup clutch, and a planetary gear, multiple-disc clutch transmission which is hydraulically actuated and force-lubricated for optimum heat dissipation. Equipped with gearshift lock lever and neutral safety switch.

Travel speed	Forward	Reverse
1st	3.8 km/h 2.4 mph	4.6 km/h 2.9 mph
2nd	5.6 km/h 3.5 mph	6.8 km/h 4.2 mph
3rd L	7.5 km/h 4.7 mph	9.2 km/h 5.7 mph
3rd	11.6 km/h 7.2 mph	14.0 km/h 8.7 mph



FINAL DRIVES

Double-reduction, spur and planetary final drives increase tractive effort. Segmented sprockets are bolt-on for easy in-the-field replacement.



STEERING SYSTEM

PCCS lever controls for all directional movements. Pushing the PCCS lever forward results in forward machine travel, while pulling it rearward reverses the machine. Simply tilt the PCCS lever to the left to make a left turn. Tilt it to the right for a right turn.

Hydrostatic steering system (HSS) is powered by steering planetary units and an independent hydraulic pump and motor. Counter-rotation turns are also available. Wet, multiple-disc, pedal-controlled service brakes are spring-actuated and hydraulically released. Gearshift lock lever also applies parking brakes.

Minimum turning radius.....2.14 m **7'0"**



UNDERCARRIAGE

Suspension.....Oscillation-type with equalizer bar and forward mounted pivot shafts
 Track roller frame.....Monocoque, high-tensile-strength steel construction

Track shoes

Lubricated tracks. Unique dust seals for preventing entry of foreign abrasives into pin-to-bushing clearance for extended service. Track tension easily adjusted with grease gun.

UNDERCARRIAGE	Extreme Service Sealed and Lubricated	Moderate Service PLUS*
Shoe Type		
Shoe Width	965 mm 38 in	860 mm 34 in
Shoes Per Side	45	45
Track Rollers Per Side	8	8
Track Roller Suspension	Fixed	Fixed
Grouser Height	80 mm 3.1 in (clipped)	80 mm 3.1 in (clipped)
Link Pitch	228.6 mm 9 in	228.6 mm 9 in
Track Gauge	2400 mm 94.5 in	2400 mm 94.5 in
Length of Track on Ground	3580 mm 141 in	3580 mm 141 in
Ground Contact Area ISO 16754	7.8 m ² 12,096 in²	7.0 m ² 10,780 in²
Ground Pressure* ISO 16754 with Semi-U, drawbar	53 kPa 0.54 kg/cm ² 7.7 psi	60 kPa 0.61 kg/cm ² 8.7 psi

*PLUS shoes available only with optional abrasion resistance package



SERVICE REFILL CAPACITIES

Fuel tank.....	625 ltr	165 U.S. gal
Coolant.....	104 ltr	27.5 U.S. gal
Engine oil.....	37 ltr	9.8 U.S. gal
Damper.....	1.5 ltr	0.4 U.S. gal
Transmission, bevel gear, steering system.....	90 ltr	23.8 U.S. gal
Final drive (each side).....	31 ltr	8.2 U.S. gal
DEF tank.....	39 ltr	10.3 U.S. gal
Hydraulic oil capacity.....	95 ltr	25.1 U.S. gal

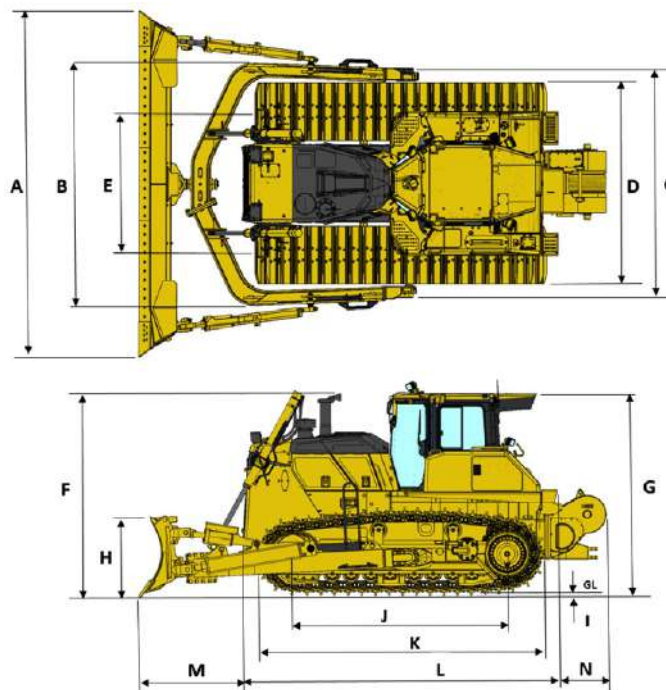
D155PX-8



DIMENSIONS

DIMENSIONS - with Angle Blade				
Width	A1	Blade (not angled)	5791 mm	19'0"
	A2	Blade (angled 25 deg)	5247 mm	17'3"
	B	C-Frame	4060 mm	13'4"
	C	Over Trunnions	3847 mm	12'8"
	D	Over Track Shoes (standard shoe)	3365 mm	11'1"
Height	E	Track Gauge	2400 mm	7'10"
	F	Exhaust Stack	3385 mm	11'1"
	G	Operator Cab	3390 mm	11'1"
	H	Blade Height	1353 mm	4'5"
	I	Shoe Grouser	80 mm	3.1"
Length	J	Track on Ground	3580 mm	11'9"
	K	Overall Track Length	4904 mm	16'1"
	L	Base Tractor Length	5298 mm	17'5"
	M	Blade add to Base Tractor	1766 mm	5'10"
	N	Winch H12E add to Base	1219 mm	4'0"
Counterweight with Drawbar add to Base		1068 mm	3'6"	

Ground clearance: 500 mm **1'8"**



HYDRAULIC SYSTEM

Closed-center load sensing system (CLSS) designed for precise and responsive control, and for efficient simultaneous operation.

Hydraulic control unit:

All spool control valves externally mounted beside the hydraulic tank.

Variable piston pump with capacity (discharge flow) of 325 L/min **85.9 U.S. gal** for steering and 320 L/min **84.6 U.S. gal** for implement at rated engine rpm.

Relief valve setting

- for implement 27.5 MPa 280 kg/cm² **3,980 psi**
- for steering 38.2 MPa 390 kg/cm² **5,550 psi**

Control valves:

Spool control valve for Manual Angle Power Tilt dozer.

- Positions: Blade lift Raise, hold, lower, and float
- Blade tilt Right, hold, and left



DOZER EQUIPMENT

Blade capacities per SAE J1265. Wear resistant replaceable bushings at trunnions. Moldboard constructed using high-tensile-strength steel. Blade tilt hose piping is routed inside the dozer push arm for protection.

	Add Length to Base Tractor	Blade Capacity	Blade Width x Height	Blade Width @ angle	C-Frame Width Without Blade	Max. Lift Above Ground	Max. Drop Below Ground	Max. Tilt Adjustment	Weight Dozer Equipment
Manual Angle	1766 mm	7.3 m ³	5791 mm x 1353 mm	5247 mm @ 25 deg	4060 mm	1475 mm	765 mm	965 mm	6670 kg
Power Tilt Dozer	5'10"	9.6 yd³	19'0" x 4'5"	17'3" @ 25 deg	13'4"	4'10"	2'6"	3'2"	14,700 lb
Semi-U DTP	1330 mm	9.9 m ³	4600 mm x 1650 mm		4600 mm	1263 mm	656 mm	858 mm	5060 kg
with bushings	4'4"	12.9 yd³	15'2" x 5'5"	N/A	15'2"	4'2"	2'2"	2'10"	11,200 lb
Semi-U DTP	1330 mm	12.0 m ³	4600 mm x 2030 mm		4600 mm	1263 mm	656 mm	858 mm	5800 kg
with bushings and extended spill guard	4'4"	15.7 yd³	15'2" x 6'8"	N/A	15'2"	4'2"	2'2"	2'10"	12,800 lb



MACHINE WEIGHT (APPROXIMATE)

Tractor Shipping Weight 36300 kg **80,000 lb**

Includes ROPS cab, blade lift cylinders, 965 mm (38 in) ES shoes, fixed 8-roller undercarriage, lubricants, coolant, 20% fuel, and operator.

Operating Weight 42100 kg **92,800 lb**

Includes Semi-U blade, drawbar, ROPS, 965 mm (38 in) ES shoes, fixed 8-roller undercarriage, lubricants, coolant, full fuel tank, and operator.



STANDARD EQUIPMENT FOR BASE MACHINE*

- Air cleaner, double element with dust indicator
 - Alternator, 140 ampere/24V
 - Backup alarm
 - Batteries, 200 Ah/2 x 12V
 - Battery disconnect switch
 - Blade lift cylinders with double dust seal
 - Color monitor, LCD
 - Decelerator pedal
 - Engine hood
 - Engine idle auto shutdown with adjustable timer
 - Engine intake centrifugal precleaner
 - Engine, gull-wing side covers
 - Engine shutdown secondary switch
 - Exhaust pipe with raincap
 - Fast fuel provision
 - Fenders
 - Fixed roller undercarriage, wide gauge
 - Front pull hook
 - Fuel pre-filter and primary filter
 - Grid heater starting aid in cold weather
 - High mount foot rests
 - Horn, warning
 - Hydraulic driven radiator cooling fan with manual reverse clean mode
 - Hydraulics for dual tilt and pitch dozer
 - Hydraulics for winch (high flow)
 - KOMTRAX® Level 5
 - Komatsu Diesel Particulate Filter (KDPF)
 - Variable Geometry Turbocharger (VGT)
 - Komatsu Selective Catalytic Reduction (SCR)
 - Locks, filler caps and covers
 - Oil pressure check ports for power train
 - PM service connector
 - Radiator mask, double door, heavy-duty, hinged, perforated
 - Radiator reserve tank
 - Rear cover
 - ROPS cab (1420 kg, **3,131 lb**)**
 - Air conditioner/heater/defroster
 - Pressurized
 - Condenser remote mounted
 - Cab accessories
 - 12V power supply (2 ports)
 - Cup holder
 - Rearview mirror
 - Rear view monitoring (1 camera)
 - AM/FM Radio w/remote AUX plug (3.5 mm)
 - Lunch box holder
 - Work lights
 - 2 front, hood mounted
 - 2 front, cab mounted
 - 2 rear, fender mounted
 - 2 rear, cab mounted
 - Seat, air suspension, fabric, heated, low back, rotates 12.5° to right, headrest
 - Seat belt, 76 mm **3"**, retractable
 - Seat belt indicator
 - Sealed electrical connectors
 - Starting motor, 11.0 kW/24V
 - Steering system:
 - Hydrostatic Steering System (HSS)
 - Torque converter with auto lock-up
 - Track roller guards, end and center guiding sections
 - Track shoe assembly
 - Sealed and lubricated
 - 915 mm **38"** extreme service shoes
 - Transmission with auto/manual shift modes
 - Underguards, heavy duty
 - Hinged belly pans
 - Water separator, fuel
 - Wide core cooling package, 6 fins per inch spacing
- * Dozer assembly and rear mounted equipment are not included in base machine standard equipment
- ** Cab meets: ROPS standard ISO 3471:2008
FOPS Level 2 standard ISO 3449:2005
- Note: Machine does not support aftermarket grade control installations (Topcon/Trimble).



OPTIONAL EQUIPMENT

- **Rear Attachment**
 - HD long drawbar 240 kg **528 lb**
 - HD Counterweight 9-plate with rigid drawbar, 3568 kg **7,860 lb**
- **Abrasion Resistant Package**
 - 34" 860mm PLUS tracks
 - AR steel liner on semi-u blade
 - Spill guard extension on semi-u
 - Grading skid plates on semi-u
 - Radiator mask reinforcement
 - Cooling fan hard coated steel
- Radiator core guard
- LED work lamps
- Centralized grease zerks
- Air suspension seat heated/cooled no rotate



ALLIED MANUFACTURER'S ATTACHMENTS (SHIPPED LOOSE)

- Guarding - Medford
 - Front sweeps covered bullnose 578 kg **1,275 lb**
 - Front sweeps covered bullnose plus cab roof/AC guard 794 kg **1,750 lb**
- Hinged cab rear screen 61 kg **135 lb**
- Hinged cab side screens 75 kg **165 lb**
- Tank guards 612 kg **1,350 lb**
- Hydraulic winch with drawbar - Allied H12E 1800 kg **4,000 lb**
- Manual angle power tilt blade - Rockland 6670 kg **14,700 lb**
- Semi-u blade dual tilt and pitch with bushings - CWS 5060 kg **11,200 lb**



Manual angle power tilt blade



Semi-u blade dual tilt and pitch abrasion resistant spec



Note: All comparisons and claims of improved performance made herein are made with respect to the prior Komatsu model unless otherwise specifically stated.