

+ TASKVIPER®

PEDESTRIAN REACH STACKER



ULTIMATE CONTROL.

With electronic power steering operators of the TASK Viper pedestrian reach stackers find them simple to operate and easy to use in tight spaces.

The Viper comes as standard with a tilting carriage, side-shift and pantographic reach. All the functions including lift and lower are controlled using Task's VTC (Variable Total Control) module. This provides users with absolute control when operating the VIPER.

BUILT TO LAST.

The VIPER® includes a large industrial battery allowing operators multiple shift use before needing to be recharged. The chassis incorporates the latest Laser Lock technology, offering a lifetime warranty on chassis.

Fork carriage is an integrated welded unit and fully rollered to ensure smooth, durable, long last performance.

CURTIS® CONTROLLED.

The Curtis® Programmable Control System with Multi-mode allows infinite control of all machine functions.



Authorised TASK® support technicians are able adjust and optimise settings to meet environmental requirements or different operator skill levels.





2.5 - 6m
Lift Height



1500 & 2000
KG Capacity



Integrated
Tilt Carriage



Pantographic
Reach Stacker

TECHNICAL INFO

	MODEL	TWO STAGE				THREE STAGE			
Lift height metres		2.5	3.0	3.5	4.0	3.7	4.5	5.2	6.0
A. Rated capacity at 600mm I.C. Kg	1.5 Sb	1500	1500	1500	1500	1500	1300	1000	N/a
	1.5 Lb	1500	1500	1500	1500	1500	1500	1300	N/a
	2.0	2000	2000	2000	2000	2000	2000	1750	1000
B. Lift height mm		2500	3000	3500	4000	3700	4500	5200	6000
C. Extended height mm with load backrest		3650	4150	4650	5150	4950	5750	6450	7250
D. Collapsed height mm		1800	2050	2300	2550	1830	2125	2375	2580
E. Free lift mm		Nil				1250	1500	1750	2000
F. Chassis length mm to face of forks	1.5 Sb	1200				1230			
	1.5 Lb	1300				1330			
	2.0	1350				1380			
G. Chassis width mm		915							
H. Wheelbase mm	1.5 Sb	1430				1460			
	1.5 Lb	1530				1560			
	2.0	1600				1630			
I. Carriage width mm		815							
J. Chassis under clearance mm		50							
K. Turning radius mm	1.5 Sb	1690				1710			
	1.5 Lb	1790				1810			
	2.0	1850				1880			
L. Straddle I.D / O.D mm	1.5	1220 / 1425 Or 945 / 1150 (narrow max. Lift 4.5)							
	2.0	1220 / 1520 Or 850 / 1150							
M/N. Rear // forward tilt		6° // 3°							
O. Reach mm		600							
P. Weight with battery kg	1.5 Sb	1930	1980	2030	2090	2130	2210	2290	N/a
	1.5 Lb	1740	1790	1840	1900	1940	2020	2100	N/a
	2.0	1960	2010	2060	2120	2160	2240	2320	2410
Q. Battery compartment size mm	1.5 Sb	885Mm wide x 190mm long x 600mm high							
	1.5 Lb	800Mm wide x 340mm long x 600mm high							
	2.0	800Mm wide x 340mm long x 600mm high							
R. Right angle stacking aisle mm		Dimension f + load length + 150 mm							



2.5 - 6m
Lift Height



1500 & 2000
KG Capacity

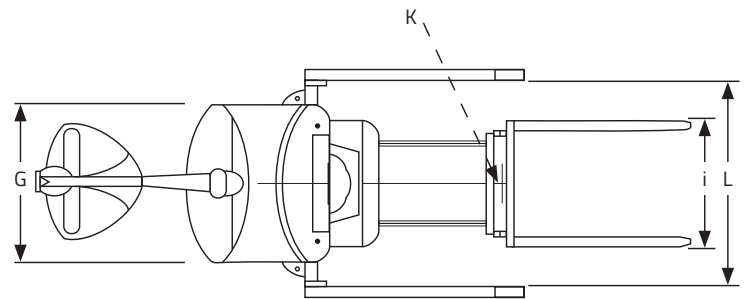
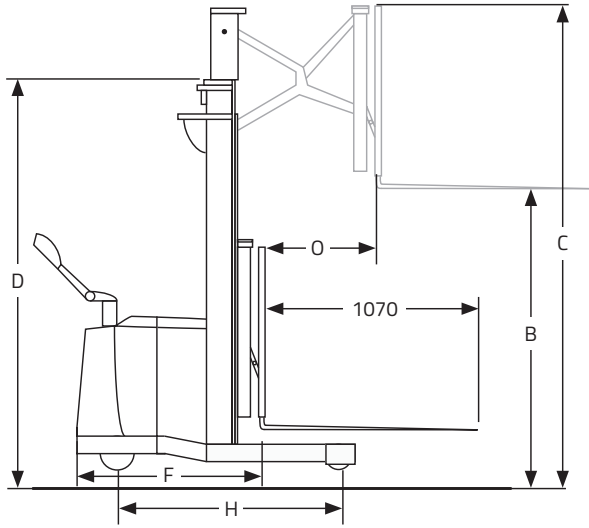


Integrated
Tilt Carriage



Pantographic
Reach Stacker

TECHNICAL INFO



 VIPER Technical Drawing

TASKVIPER[®]

REACH
STACKER

Due to continuous product improvement, specifications are subject to change without notice or obligation. Some systems and features shown are optional at extra cost.