

Smart Crane

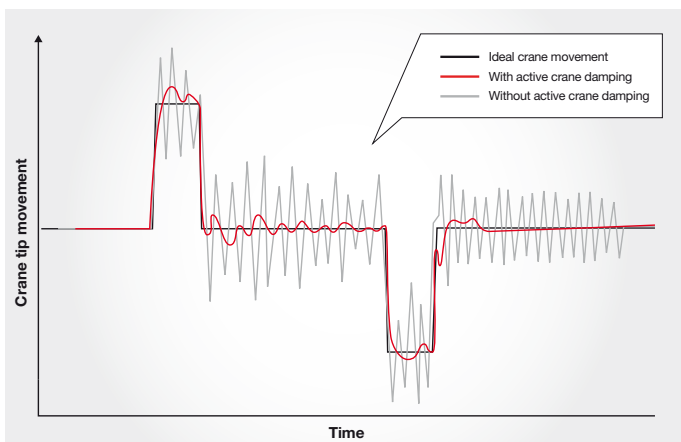


Easier, more productive and smoother crane operation

A forwarder operator spends as much as 70% of their working day operating the crane. This means there is much to be gained by finding ways to optimise crane operation. This is the central idea in our work to develop Komatsu Smart Crane.

Smart Crane offers advantages that include a reduced physical burden on the operator, enabling them to maintain constantly high production throughout the day. This is made possible by the crane's precision and smooth movement patterns, which with less sway and vibration enable the operator to remain more relaxed while working. Smart Crane simplifies crane control too. With just three joystick movements, the operator can easily control the grapple with great precision. Smart Crane alters its behaviour depending on which stage of the crane cycle the grapple is at, just as an experienced operator does. Everything to ensure maximum possible productivity at all times.

Test results – the effect of active crane damping

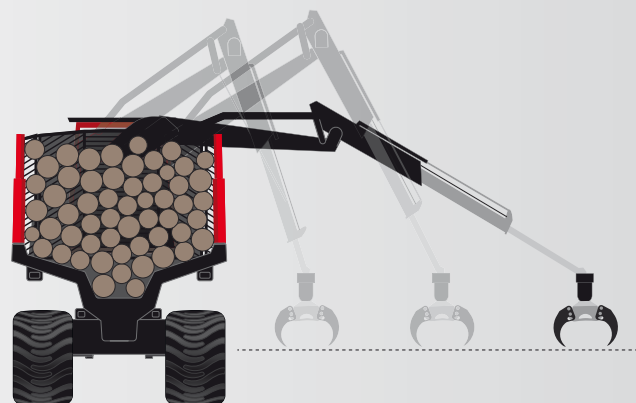


Smooth crane operation with excellent precision

With Smart Crane, the operator can easily guide the crane tip to exactly where they want it. And thanks to SmartFlow with active crane damping, the crane offers excellent precision with less sway and vibration. This provides a better work environment for the operator while creating the conditions for maintaining constantly high production throughout the working day.

HIGHLIGHTS

- Smart Crane provides precise and smooth movement patterns with less sway and vibration
- The comfort offered by Smart Crane reduces the physical burden on the operator, enabling them to maintain constantly high production throughout the day – for increased productivity
- Simpler crane control – with just three joystick movements, the operator can easily control the grapple with precision
- Better operator ergonomics with a damped crane and fewer joystick movements
- Smart Crane alters its behaviour depending on which stage of the crane cycle the grapple is at – just like an experienced operator
- Experienced and new operators alike benefit from Smart Crane – experienced operators can work more efficiently while new operators can learn more quickly
- Smart Crane is based on SmartFlow, our intelligent crane control, and the active crane damping takes crane operation to a whole new level, with great precision in all movements
- SmartFlow reduces pressure losses, thereby delivering improved fuel economy



KOMATSU

komatsuforest.com

