

TIMBERPRO

A Komatsu forestry brand

TN755D harvester

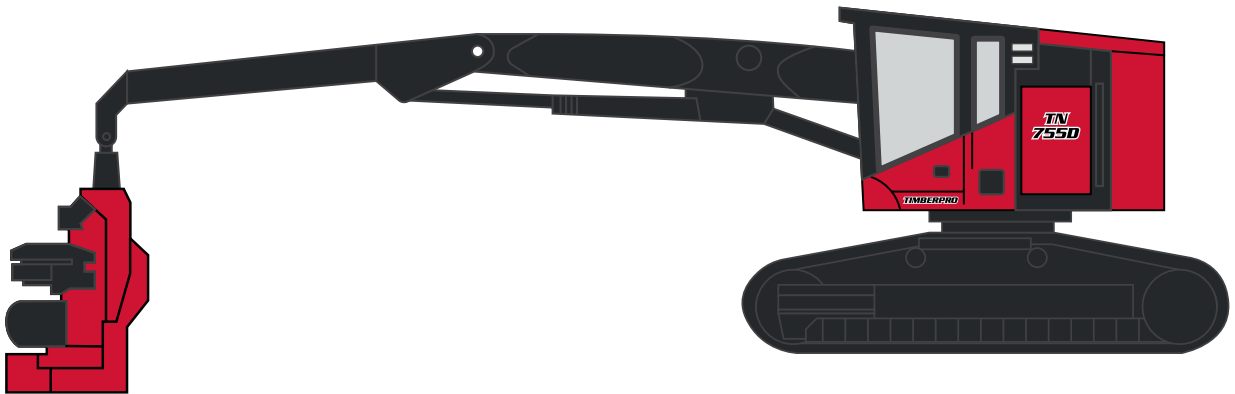


Photo may include optional equipment

Operating weight
72,392 lbs. (32,905 kg)

Rated horsepower
350 HP (261 kW) @ 1,800 rpm

Specifications

Engine

| | | |
|-------------------------------------|---|--------|
| Model | Cummins L9 | |
| Type | Water cooled, 4-cycle, XPI fuel system | |
| Aspiration | eVGT, after cooled | |
| No. of cylinders | 6 | |
| Bore | 4.49 in | 114 mm |
| Stroke | 5.86 in | 145 mm |
| Engine displacement | 543 in ³ | 8.9 L |
| Horsepower | | |
| SAE J1995 | Rated 350 HP (261 kW) @ 1,800 rpm | |
| Fan drive type for radiator cooling | Hydraulic, variable speed, auto reverse | |
| Governor | All-speed control, electronic | |
| Peak engine torque | 1,151 lb-ft (1,561 Nm) | |

U.S. EPA Tier 4 Final emission certification

Hydraulic system

Type: load sense, pressure compensated, open loop system and dedicated closed loop systems

| | | |
|-------------------------|--|-----------|
| Hydraulic control modes | SAE/US/US mod, custom attachment settings | |
| Pumps | Implement, swing, attachment, dual track, charge, fan, auxiliary | |
| Main pump type | Variable displacement piston type | |
| Saw flow | 37 gpm | 140 L/min |
| Implement flow | 115 gpm | 435 L/min |

Coolant (refilling) and lubricant capacity

| | | |
|----------------|----------|--------|
| Fuel tank | 256 gal | 969 L |
| Coolant | 13.5 gal | 51 L |
| Engine | 6.25 gal | 23.6 L |
| Hydraulic tank | 64 gal | 242 L |
| DEF tank | 15 gal | 56.8 L |

Operating weight

| | | |
|------------------|-------------|-----------|
| Operating weight | 72,392 lbs. | 32,905 kg |
|------------------|-------------|-----------|

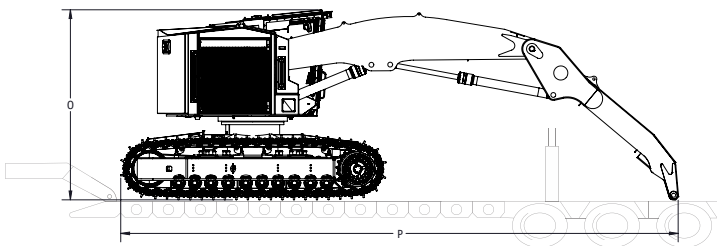
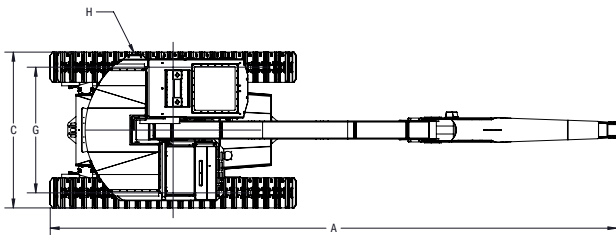
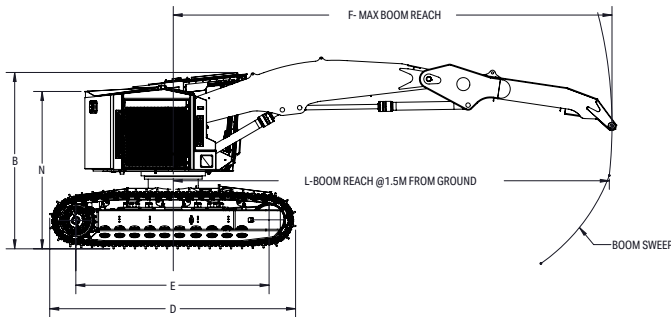
Swing system

| | | |
|--|--|--|
| Drive method | Hydrostatic | |
| Swing reduction | Planetary gear | |
| Swing circle, lubrication | External tooth, greased | |
| Holding brake/swing lock | Oil bath multi-disk, spring applied, hydraulic release | |
| Swing speed | 6.6 rpm | |
| Swing torque | 64,608 lbs.- ft (87.6 kN/m) | |
| Maximum reach to pin | 29' 1" (8,865 mm) | |
| Max cutting swath | 15' 5" (4,699 mm) | |
| Max tail swing radius | 5' 10" (1,778 mm) | |
| Lift capacity @ 20' (6.1 m), @ 4' 11" (1.5 m) above ground | 13,500 lbs. (6,136 kg) | |
| Cutting radius - minimum, @ 4' 11" (1.5 m) above ground | 13' 8" (4,166 mm) | |
| Bare pin lift at full reach, @ 4' 11" (1.5 m) above ground | 7,000 lbs. (3,181 kg) | |

Frame, drive and axles

| | | |
|--|--|--|
| Center frame type/design | HD boxed frame structure with flat bottom, storage trunk, integrated fuel tank | |
| Track frame type/design | HD boxed structure, with shoe support | |
| Drive/travel motor type | Hydrostatic | |
| Final drive | Planetary gear | |
| Track link type | Greased, sealed | |
| Track adjuster type | Grease adj, spring tension | |
| Link pitch | 8.5" (216 mm) | |
| Number of links (per side) | 48 | |
| Number of lower track rollers (per side) | 10 | |
| Track carrier type, how many (each side) | Slider, dual | |
| Travel speed | Two speed ranges | |
| Parking brake method | Oil bath multi-disk holding brake, spring applied, hydraulic release | |
| Steering controls | Pedals | |
| Shoe width (std) | 600 mm | |
| Shoe width (max) | 700 mm | |
| Maximum drawbar pull | 106,739 lbf (48,518 kgf) | |
| Cab leveling front/rear/side, degrees | None | |

Dimensions

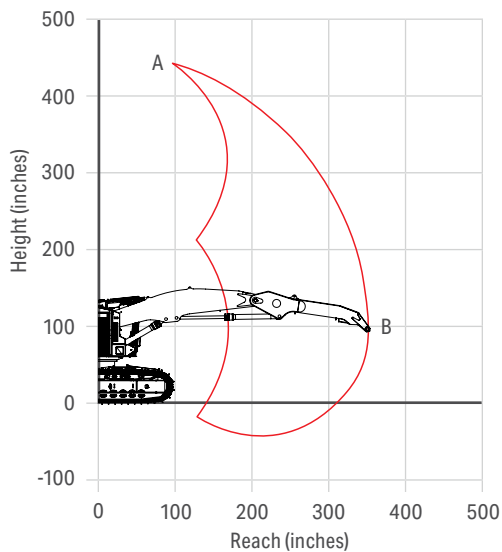
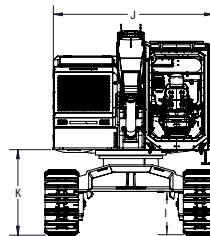


Transport dimensions: See C, O and P

Dimensions and weights

| | | |
|----|--|-------------------------------------|
| A | Overall length full reach | 37' 8" (11,481 mm) |
| B | Overall height highest point body | 12' 4" (3,759 mm) |
| C* | Overall transport width | 11' 2" (3,400 mm) |
| D | Track length - overall | 16' 4" (4,978 mm) |
| E | Track length on ground | 12' 10" (3,910 mm) |
| F | Max boom reach | 29' 1" (8,865 mm) |
| G | Track gauge | 9' 2" (2,794 mm) |
| H | Max tail swing radius | 5' 10" (1,778 mm) |
| I | Ground clearance, center frame (std GR) | 2' 8" (806 mm) |
| J | Overall body width, widest point | 9' 8" (2,950 mm) |
| K | Ground clearance, revo frame (std GR) | 5' 10" (1,772 mm) |
| L | Boom reach @ 4' 11" (1.5 m) above ground | 28' 11" (8,814 mm) |
| N | Machine height, rear of engine hood | 11' 1" (3,175 mm) |
| O | Overall height for transport (std) | 12' 4" (3,759 mm) |
| P | Length on ground for transport | 34' 3" (10,439 mm) |
| | Ground pressure | 9.27 psi (0.65 kg/cm ²) |

*With 600 mm tracks



Range of motion chart TN755D harvester

| | |
|---|---|
| A | 37' (11,269 mm) |
| B | 29' 1" (8,867 mm) @ 4' 11" (1.5 m) above ground |

Equipment

Engine and related components

| | |
|--|---|
| 350 HP (261 kW) Cummins QSL9 (Stage V) | • |
| 1,151 lb-ft (1,561 N-m) @ 1,800 rpm | • |
| Single module DOC/DPF/SCR | • |
| eVGT, after cooled | • |
| Hydraulic variable speed cooling fan with auto reverse | • |
| Air cleaner, dual element with dust collector | • |

Operator environment

| | |
|---|---|
| ROPS/FOPS/OPS certified cabin with three egress routes | • |
| Reinforced roof hatch, removal tool | • |
| Skylight | • |
| 1.25" (32 mm) front window | • |
| Digital climate control system, filtered fresh air intake and pressurized cabin | • |
| AM/FM/WB radio with Bluetooth® handsfree and USB input | • |
| IQAN MD4 HD control system with 10" touchscreen | • |
| Left and right joystick electrohydraulic proportional controls for machine operation | • |
| Coordinated boom operations | • |
| Variable speed travel control | • |
| Standard seat – air ride and heated, high back with lumbar adjust, folding armrests | • |
| Deluxe seat – air ride, heated and cooled, high back with lumbar adjust, folding armrests | ○ |
| 4 pt seat belt harness | • |
| Rear mounted camera system with dedicated monitor | • |
| Travel alarm | • |
| Auxiliary power port connector, 12V | • |
| Interior LED lights | • |
| Fire extinguisher | • |
| English decals | • |
| Paint - TimberPro red | • |
| Paint - custom color | ○ |

Serviceability

| | |
|---|---|
| Rearward open engine hood, power raise | • |
| Perforated panel, heavy duty service doors and side-hinged cooler doors with tool-less latch closures | • |
| Retractable step for operators cabin | • |
| Hydraulic tank electric vacuum system | • |
| Electric hydraulic oil fill transfer pump | • |
| Storage trunk, ground level access | • |

Electrical system

| | |
|---|---|
| 24V electrical system with battery disconnect | • |
| Alternator, 100 ampere, 24V | • |
| Batteries, 2×12V | • |
| Battery disconnect switch | • |
| Working lights - LED high intensity lighting | • |
| LED lighting on work equipment, guarded | • |

| | |
|--------------------|---|
| Standard equipment | • |
| Optional equipment | ○ |

TimberPro Inc reserves the right to change specifications without notice or obligation. Product illustrations may be equipped with optional equipment.

Product designs, specifications and/or data in this document are provided for informational purposes only and are not warranties of any kind. Product designs and/or specifications may be changed at any time without notice. The only warranties that apply to sales of products and services are Komatsu's standard written warranties, which will be furnished upon request.

Komatsu and other trademarks and service marks used herein are the property of Komatsu Ltd., Komatsu America Corp., Komatsu Mining Corp. Komatsu Germany, or one of their affiliates, or the respective owners or licensees.

Hydraulic system

| | |
|---|---|
| Implement pump | • |
| Combination hydraulics, valves and plumbing for harvester configuration | ○ |
| Charge filter non bypass, 6 micron | • |
| Return filters with bypass, 10 micron | • |
| Case drain filter with bypass, 10 micron | • |
| Hydraulic air-to-oil cooler | • |
| Harvester hydraulics, fixed arm controlled fall, tool tilt | ○ |
| Harvester hydraulics, fixed droop arm | ○ |
| Harvester hydraulics, telescopic arm | ○ |
| Hydraulics for other attachments | ○ |

Guards and covers

| | |
|---|---|
| Work equipment cylinder guards, deflector | ○ |
| Sliding protective cover, boom to chimney | ○ |
| Carbody debris shields, rubber | • |
| Boom lines debris shields, rubber | ○ |
| Track rail rock guards full length | • |
| Engine air intake deflector | • |

Frame, undercarriage and tracks

| | |
|--|---|
| TN carbody, non-leveling | • |
| Standard width boxed frame flat bottom forestry carbody with storage trunk and fuel tank | • |
| Wide width boxed frame flat bottom forestry carbody with storage trunk and fuel tank | ○ |
| Wide width carbody with integrated tethering points | ○ |
| Heavy duty towing attachment point | • |
| 24" (600 mm) single grouser track shoes | • |
| 28" (700 mm) single grouser track shoes | ○ |
| Track carrier sliders, dual | • |
| Track rollers, heavy duty, 10 per side | • |
| 48 links per side, sealed | • |
| Heavy duty spring track tensioner | • |
| Parking/travel brake, wet multi-disk, hydraulic release | • |

Upper swing system, work equipment and attachments

| | |
|--|---|
| Continuous rotation upper, dual-ball, lubricated swing mechanism | • |
| Planetary gear swing reduction drives, with wet multi-disk swing holding brake | • |
| Hydraulic swing energy recovery system | • |
| Harvester boom and arm work equipment, fixed, droop arm | ○ |
| Harvester boom and arm work equipment, telescopic arm | ○ |
| Processor (forwarder boom) and arm, telescopic arm | ○ |

Optional equipment

| | |
|--|---|
| Komtrax monitoring system | ○ |
| Fire suppression system | ○ |
| Diesel Espar pre-heater with timer | ○ |
| 120V AC plug-in engine block pre-heaters and plug-in hydraulic tank heater | ○ |
| Uptime kit | ○ |

KOMATSU

komatsu.com

