



Working Gear

GALEO

DEMOLITION HIGH REACH (39.5m Reach)

PC
750LC



PC750LC



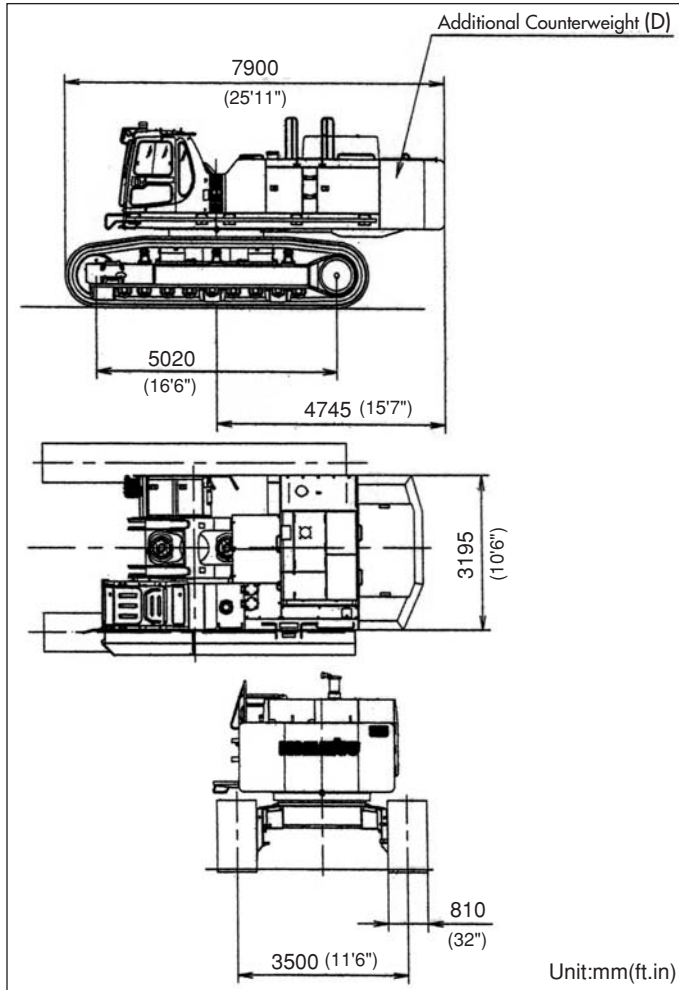
PC750LC

An Ideal Machine for Demolishing Skyscrapers

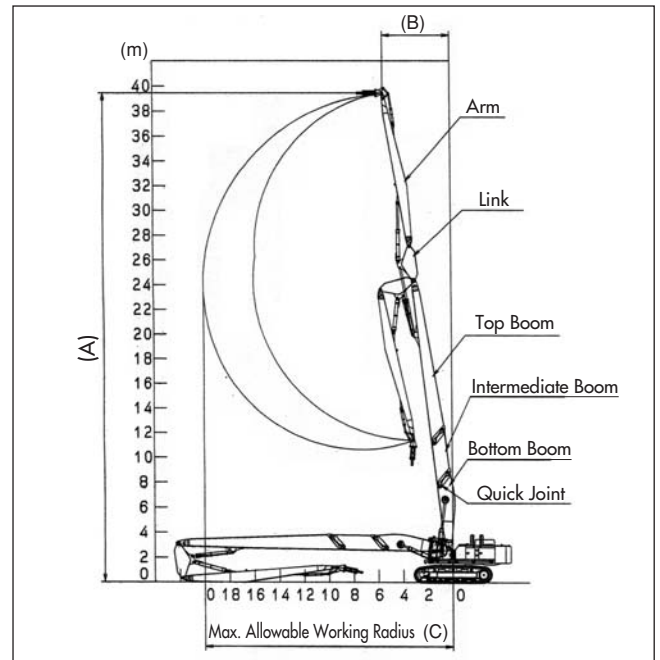
- A hydraulic quick joint realizing easy and quick boom speedy installation and removal of the arm

KOMATSU[®]

■ Outward Appearance Diagram



■ Working Range Diagram



Boom Quick Joint Portion



Insertion & Removal of Pin by Hydraulic Cylinder

■ Specifications

Item	Model	PC750LC
Max. Working Height (A)	mm/ft.in	39330/129'
Arm Top Pin Radius at Max. Working Height (B)	mm/ft.in	6290/20'8"
Max. Allowable Working Radius (C)	mm/ft.in	20000/65'7"
Max. Allowable Crusher Weight	kg/lb	2300/5070
Boom Assembly Length	mm/ft.in	21770/71'5"
Bottom Boom Length	mm/ft.in	5150/16'11"
Intermediate Boom Length	mm/ft.in	3500/11'6"
Top Boom Length	mm/ft.in	13120/43'1"
Link Length	mm/ft.in	2800/9'2"
Arm Length	mm/ft.in	12500/41'
Weight of Additional Counterweight (D)	kg/lb	10000/22050
Operating Weight (excluding crusher weight)	kg/lb	95000/209440

- The photos may partially differ from the standard specifications of demolition high reach.
- For precautions when operating the machine, refer to the operation and maintenance manual.