



Working Gear

GALEO

DEMOLITION HIGH REACH

PC210LC/PC300LC/PC400LC



This unique attachment, Demolition High Reach, demonstrates high working efficiency as well as safety in the high-rise demolition work

- 3-piece type and 4-piece type booms are available for PC300LC or PC400LC, allowing you to make the best selection to meet with specific site conditions
- Max. working height of 22.5 m with PC300LC class (measured at the arm top pin)
- Each component parts reinforced in anticipation of severe demolition work
- Realizing high cost performance through combining dedicated work equipment with a field-proven hydraulic system

KOMATSU®

A Wide Lineup

DEMOLITION HIGH REACH

High reach Type	2-Stage		3-Stage		
	1-Piece		1-Piece	3-Piece	4-Piece
Boom Type	1-Piece		1-Piece	3-Piece	4-Piece
Application	For demolition work only	For both demolition and digging work	For demolition work only	For demolition work only	For demolition work only
Model	PC210LC-7	○	○		
	PC300LC-7		○	○	○
	PC400LC-6		○	○	

Note 1: A circle mark means "Applicable".

Note 2: As to a demolition high reach for PC230 model, consult your Komatsu distributor.

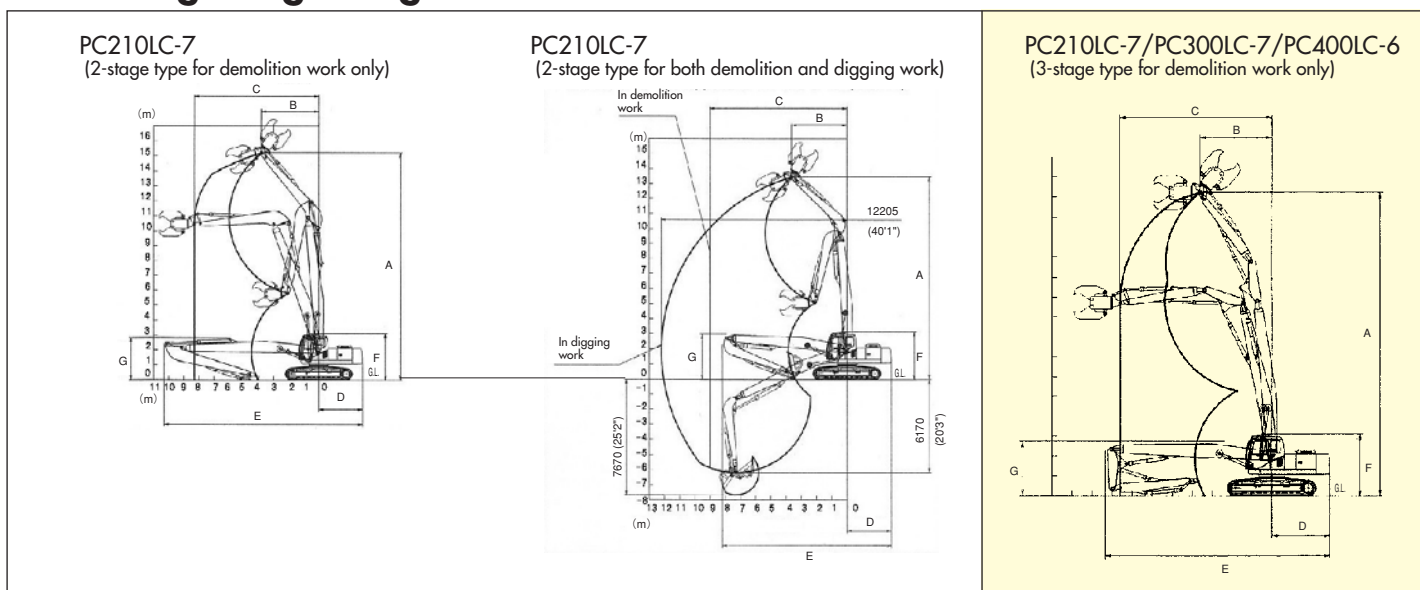


3-stage type with 3-piece boom



2-stage type with 1-piece boom

Working Range Diagram



Specifications

Item	Model	PC210LC-7		PC210LC-7		PC300LC-7		PC400LC-6		
		High Reach Type		2-stage		3-stage		3-stage		
Structure	High Reach Type	2-stage		3-stage		3-stage		3-stage		
		Boom Type		1-piece	1-piece	1-piece	1-piece	3-piece	4-piece	1-piece
Item	Application	For Demolition Work Only	For Both Demolition & Digging Work	For Demolition Work Only	For Demolition Work Only	For Demolition Work Only	For Demolition Work Only	For Demolition Work Only	For Demolition Work Only	For Demolition Work Only
		Operating Weight *1	kg/lb	26040/57410	25200/55560	26480/58380	39800/87740	41150/90720	41730/92000	50500/111330
Max. Allowable Crusher Weight	kg/lb	2300/5070	2300/5070	2100/4630	2300/5070	2300/5070	2300/5070	2300/5070	2300/5070	2300/5070
A Max. Working Height *2	mm/ft.in	15200/49'10"	13500/44'3"	15200/49'10"	20000/65'7"	20500/67'3"	22500/73'10"	24000/78'9"	25000/82'	
B Arm Top Pin Radius at Max. Working Height	mm/ft.in	3810/12'6"	3625/11'11"	3600/11'10"	4060/13'4"	4120/13'6"	4430/14'6"	4350/14'3"	4335/14'3"	
C Max. Allowable Working Radius	mm/ft.in	8300/27'3"	9000/29'6"	7600/24'11"	11000/36'1"	11000/36'1"	11000/36'1"	12300/40'4"	12300/40'4"	
D Tail Swing Radius	mm/ft.in	2910/9'7"	2910/9'7"	2910/9'7"	3780/12'5"	3780/12'5"	3780/12'5"	3800/12'6"	3800/12'6"	
E Overall Length *3	mm/ft.in	13210/43'4"	11100/36'5"	11260/36'11"	14220/46'8"	14790/48'6"	16770/55'	16610/54'6"	17610/57'9"	
F Overall Height *3	mm/ft.in	3160/10'4"	3160/10'4"	3160/10'4"	3270/10'9"	3270/10'9"	3270/10'9"	3420/11'3"	3420/11'3"	
G Height of Folded Work Equipment	mm/ft.in	2850/9'4"	3000/9'10"	2750/9'	3110/10'2"	2900/9'6"	2920/9'7"	3100/10'2"	3170/10'5"	

- The photos may partially differ from the standard specifications of demolition high reach.
- For precautions when operating the machine, refer to the operation and maintenance manual.

*1 Excluding allowable crusher weight

*2 Arm top pin

*3 When work equipment is folded and lowered to the ground

©2006 Komatsu Printed in Japan 2006W1

KOMATSU®
Komatsu Ltd.

3-6 Akasaka 2-chome, Minato-ku
Tokyo 107-8414, Japan
Phone:(81)-3-5561-2787
Fax:(81)-3-3587-2928