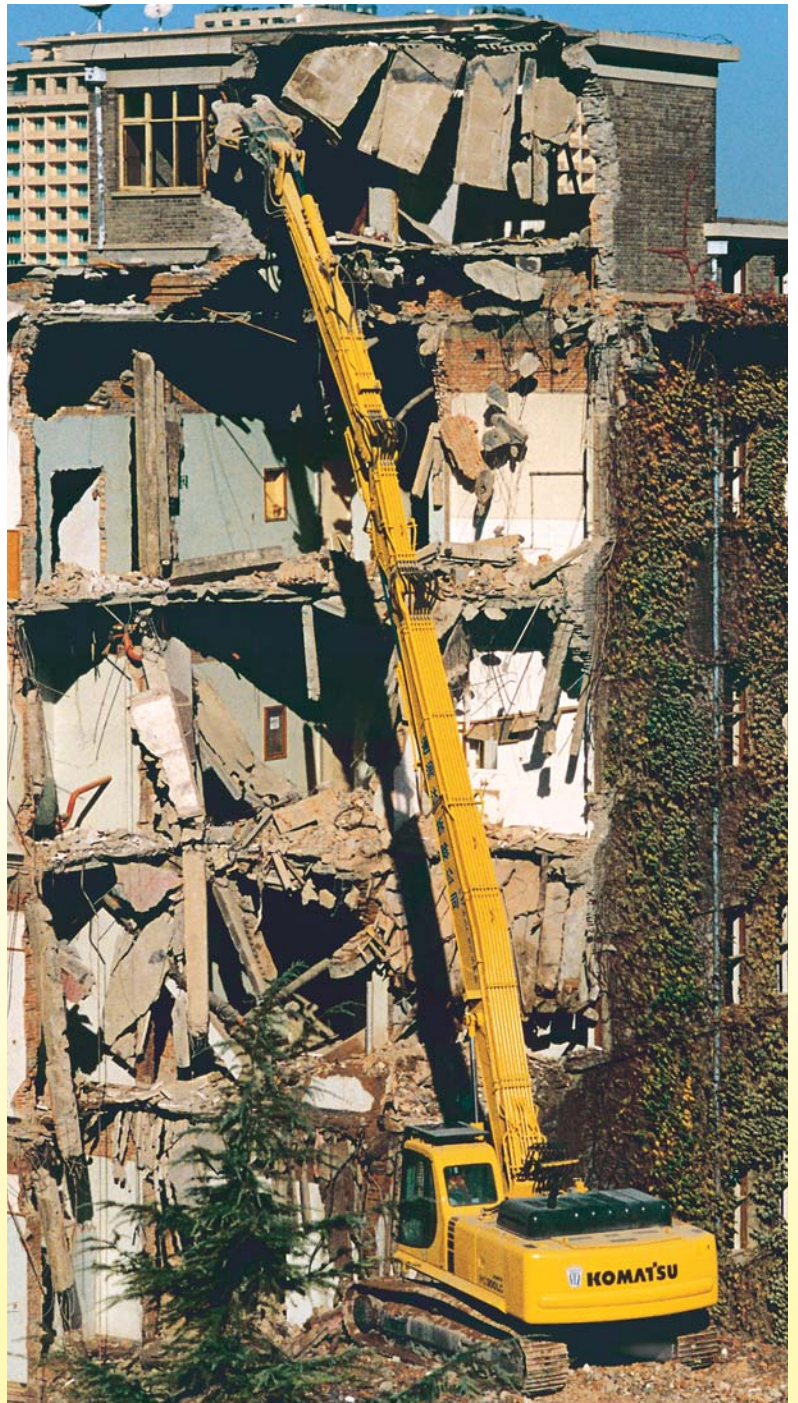


# CRUSHER



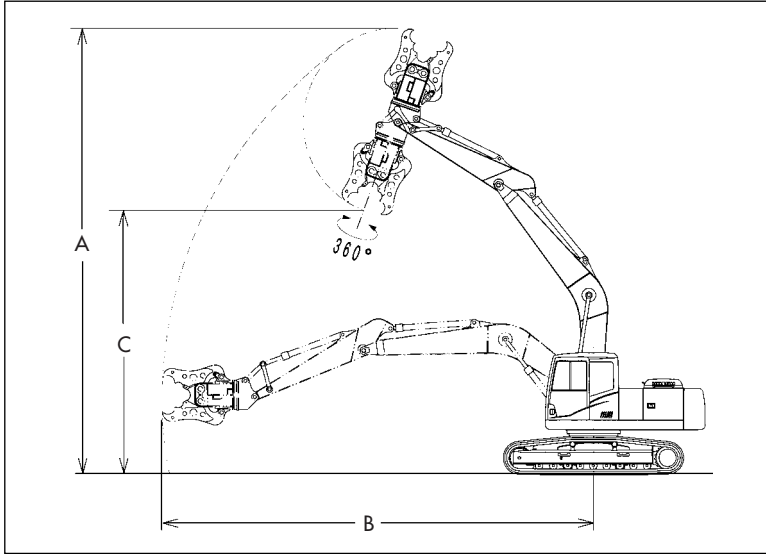
## PC60/PC120 PC200 with demolition specifications Demolition High Reach of PC300LC&PC400LC



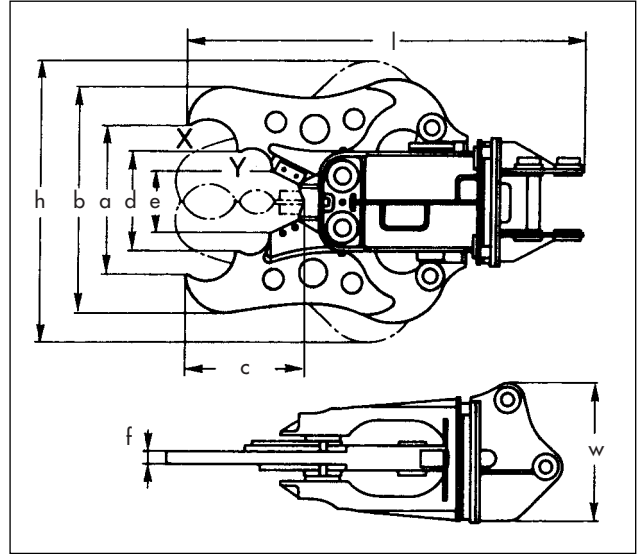
The advent of concrete crusher capable of crushing concrete blocks into large pieces

- Two rotation types (JRYB12 and JRYB18)  
Two types of rotation mechanism are provided: i.e. 360° none hydraulic rotation with a brake and 360° hydraulic rotation. JRYB06 provided with 360° none hydraulic rotation only.
- A cutter is provided, which is capable of crushing reinforced concrete blocks, too.
- Synchronous arm movement  
As two arms move symmetrically with a synchronous pin in their center, they can easily grab target objects, thus assuring work of high efficiency.
- Close shutting  
The front-end arms close as tightly as zero clearance. This feature enables the crusher to do various kinds of work such as grasping various things.
- The arms are made of cemented carbide steel and demonstrate the highest-in-class crushing force with their sharp teeth. Not only that, they show outstanding wear resistance.

**Working Range Diagram**



**Outside Drawing**



**Specifications**

Specifications		Model	PC60-6	PC120-7			PC200-7 Demolition specifications	
Crusher Model			JRYB06	JRYB12	JRYB12R	JRYB18	JRYB18R	
Crusher Rotation Mechanism			360° None Hydraulic Rotation	360° None Hydraulic Rotation	360° Hydraulic Rotation	360° None Hydraulic Rotation	360° Hydraulic Rotation	
Operating Weight		kg/lb	7300/16090	12460/27470	12460/27470	22920/50530	22970/50640	
Engine Model			KOMATSU 4D95LE	KOMATSU S4D102E			KOMATSU SAA6D102E	
Flywheel Horsepower		PS/HP(kW)/RPM	54/54(40)/1750	87/86(64)/2200			145/143(107)/1950	
Crushing Force (at X portion)		kN/ton(U.S.ton)	441/45(50)	686/70(77)	686/70(77)	980/100(110)	980/100(110)	
Crushing Force (at Y portion)		kN/ton(U.S.ton)	588/60(66)	931/95(105)	931/95(105)	1421/145(160)	1421/145(160)	
Crusher dimensions and performance	a Max. open width (at X portion)	mm/ft.in	510/1'8"	650/2'2"	650/2'2"	870/2'10"	870/2'10"	
	b Max. open height	mm/ft.in	824/2'8"	1097/3'7"	1097/3'7"	1310/4'4"	1310/4'4"	
	c Open depth	mm/ft.in	400/1'4"	580/1'11"	580/1'11"	695/2'3"	695/2'3"	
	d Open width	mm/ft.in	367/1'2"	477/1'7"	477/1'7"	580/1'11"	580/1'11"	
	e Max. open width (at front-end cutter)	mm/ft.in	222/9"	312/1'	312/1'	350/1'2"	350/1'2"	
	f Arm tip width	mm/ft.in	40/1.6"	50/2"	50/2"	75/3"	75/3"	
	h Overall height	mm/ft.in	1190/3'11"	1410/4'8"	1410/4'8"	1645/5'5"	1645/5'5"	
	w Overall width	mm/ft.in	590/1'11"	726/2'5"	726/2'5"	815/2'8"	815/2'8"	
	l Overall length	mm/ft.in	1526/5'	2054/6'9"	2054/6'9"	2365/7'9"	2550/8'4"	
	Weight	kg/lb	700/1540	1250/2760	1250/2760	2150/4740	2200/4850	
Required oil pressure		kgf/cm <sup>2</sup> (PSI/Mpa)	250 (3555/24.5)	325 (4620/31.9)	325 (4620/31.9)	325 (4620/31.9)	325 (4620/31.9)	
Required oil flow rate		ltr/min(U.S.Gal)	150(40)	200(53)	200(53)	380(100)	380(100)	
Arm speed	Opening	sec.	3.0	3.0	3.0	3.6	3.6	
	Closing	sec.	3.7	3.9	3.9	3.6	3.6	
Working range	A Max. Crushing Height	mm/ft.in	7545/24'9"	9195/30'2"	9195/30'2"	10875/35'8"	11060/36'3"	
	B Max. Crushing Radius on Ground	mm/ft.in	6755/22'2"	9025/29'7"	9025/29'7"	10480/34'5"	11665/38'3"	
	C Max. Dumping Height	mm/ft.in	4615/15'2"	5245/17'2"	5245/17'2"	6335/20'9"	6150/20'2"	
Applicable base machine		With standard boom and arm	PC60	PC120, PC120LC&PC130			PC200/PC200LC, PC220/PC220LC, PC210/PC210LC&PC240LC	
		With demolition high reach					PC300LC, PC400LC&PC750LC	

Remarks  
 Onsite installation of the crusher requires a base machine to be modified. For more details, you are recommended to consult the Komatsu distributor.

- The machine in the photographs may partially differ from an actual machine on sale. Furthermore, the machine takes the posture in the photographs only for sales brochures. For the sake of safety, do not leave the machine unattended in such posture.
- For precautions when operating the machine, refer to the operation and maintenance manual.

©2006 Komatsu Printed in Japan 2006WI

**KOMATSU**<sup>®</sup>  
**Komatsu Ltd.**  
 3-6 Akasaka 2-chome, Minato-ku  
 Tokyo 107-8414, Japan  
 Phone:(81)-3-5561-2787  
 Fax:(81)-3-3587-2928